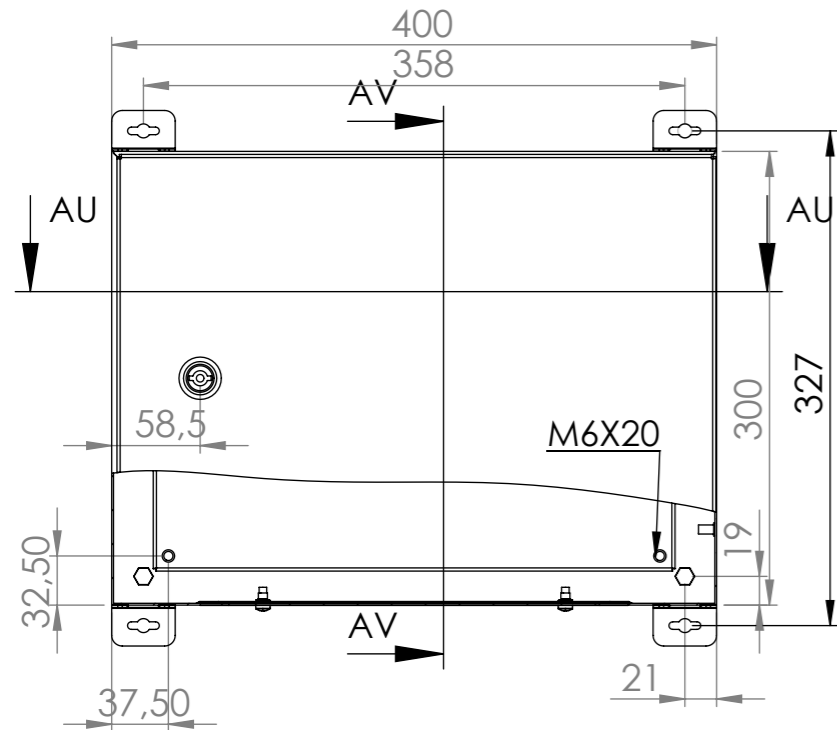
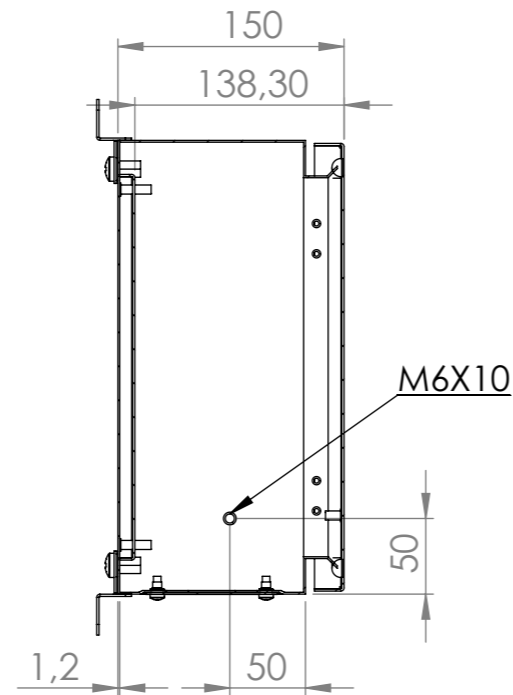


Front view

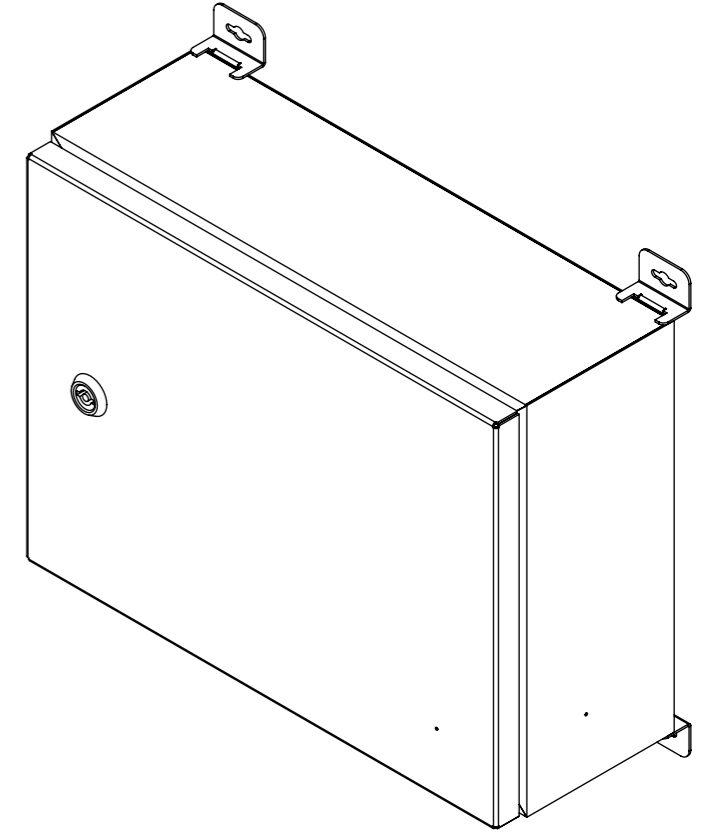
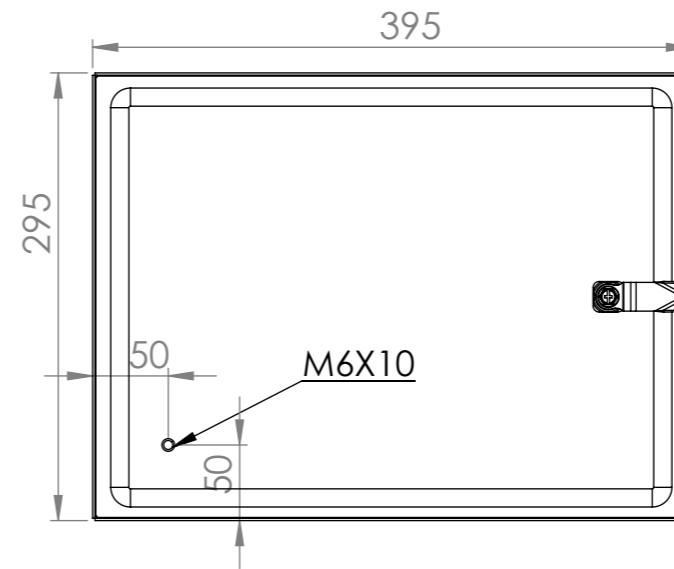


Sectional side view



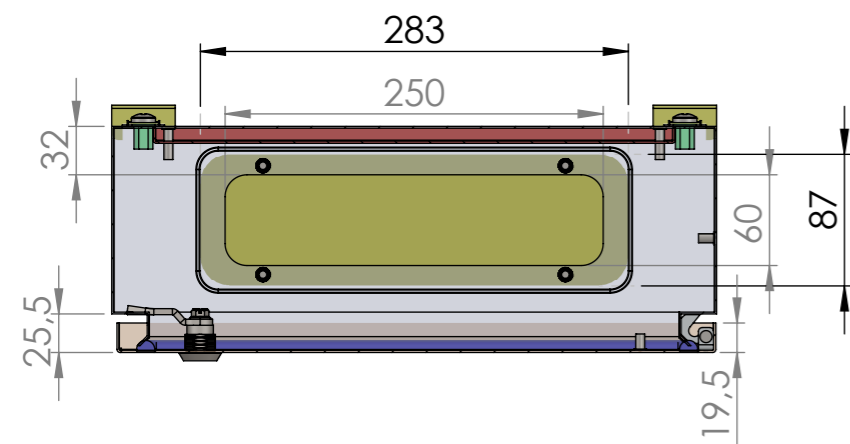
SECTION AV-AV

Inside door view



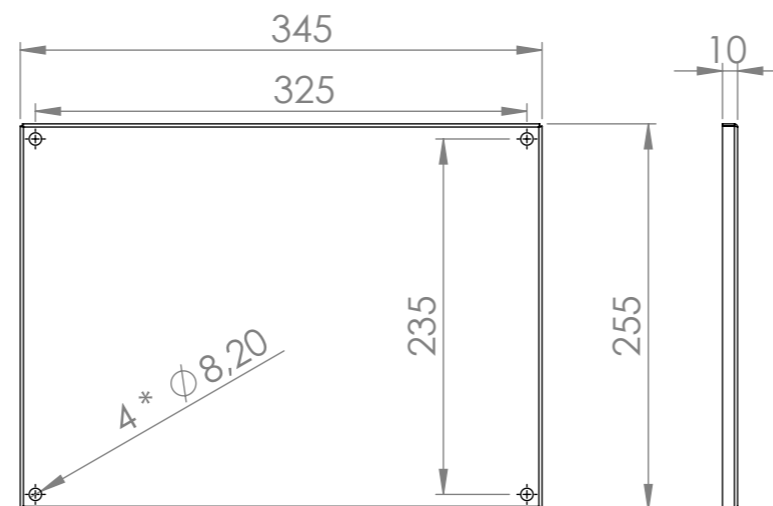
30 * 40 * 15


Sectional top view



SECTIONS AU-AU

Mounting plate



FIBOX		 Dimensions in mm SCALE: 1:1	DESCRIPTION	STEEL CABINET SPEC:EN62208	
			TOLERANCE	TITLE	
(+,-)0,5 MM		MATERIAL PAINTED MILD STEEL PAINT CODE RAL 7035 WRINKLE	CAB MS 304015		
DESIGNER	NAME	SIGNATURE	DATE	DWG NO	Pag.
CHECKED					A4
				THICKNESS BODY:1,2 mm - DOOR:1,5 mm - M.P.:1,5 mm GLV	